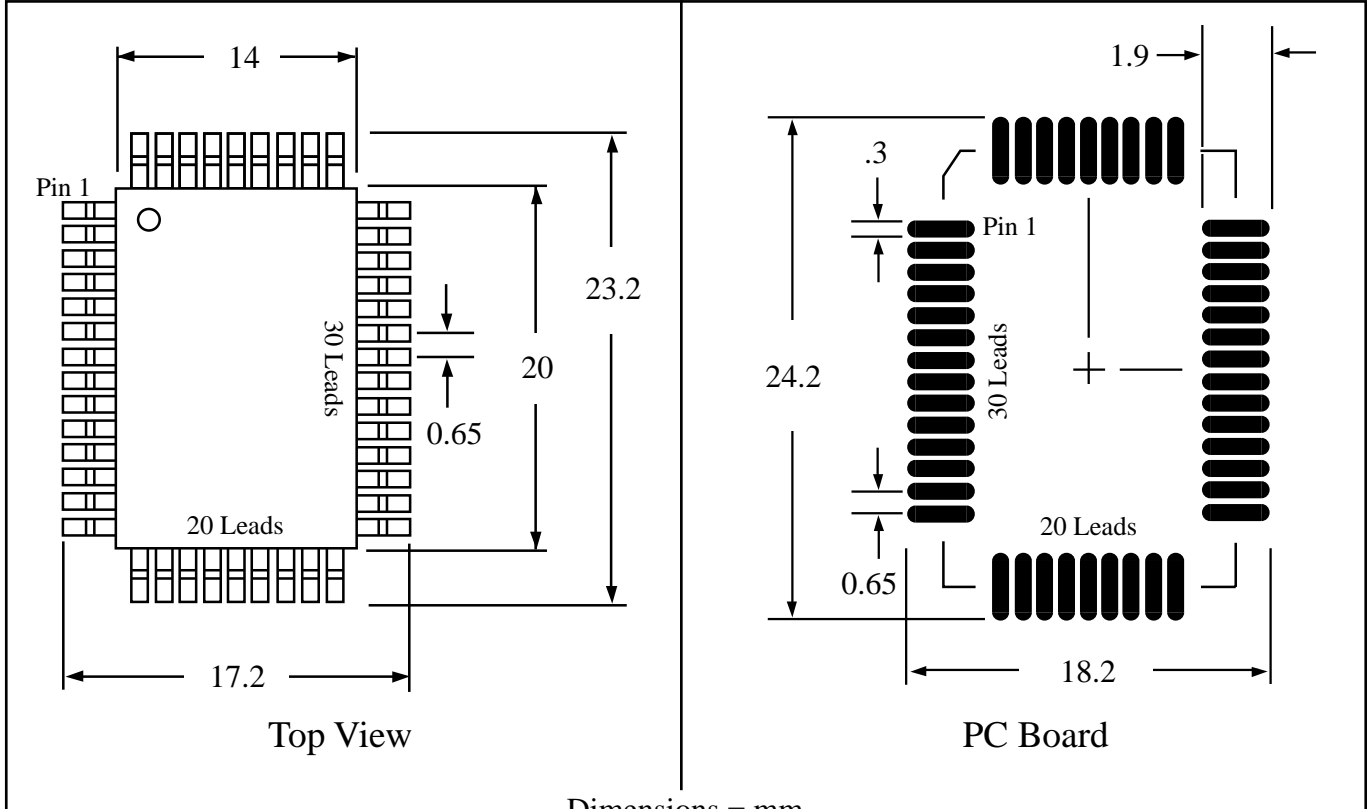


Part # **QFP100T25-3.2**
 Leads **100** Pitch **0.65mm**
 Body Size **14mm x 20mm**

TopLineTM
 Tel 1-714-898-3830
 info@toplinedummy.com

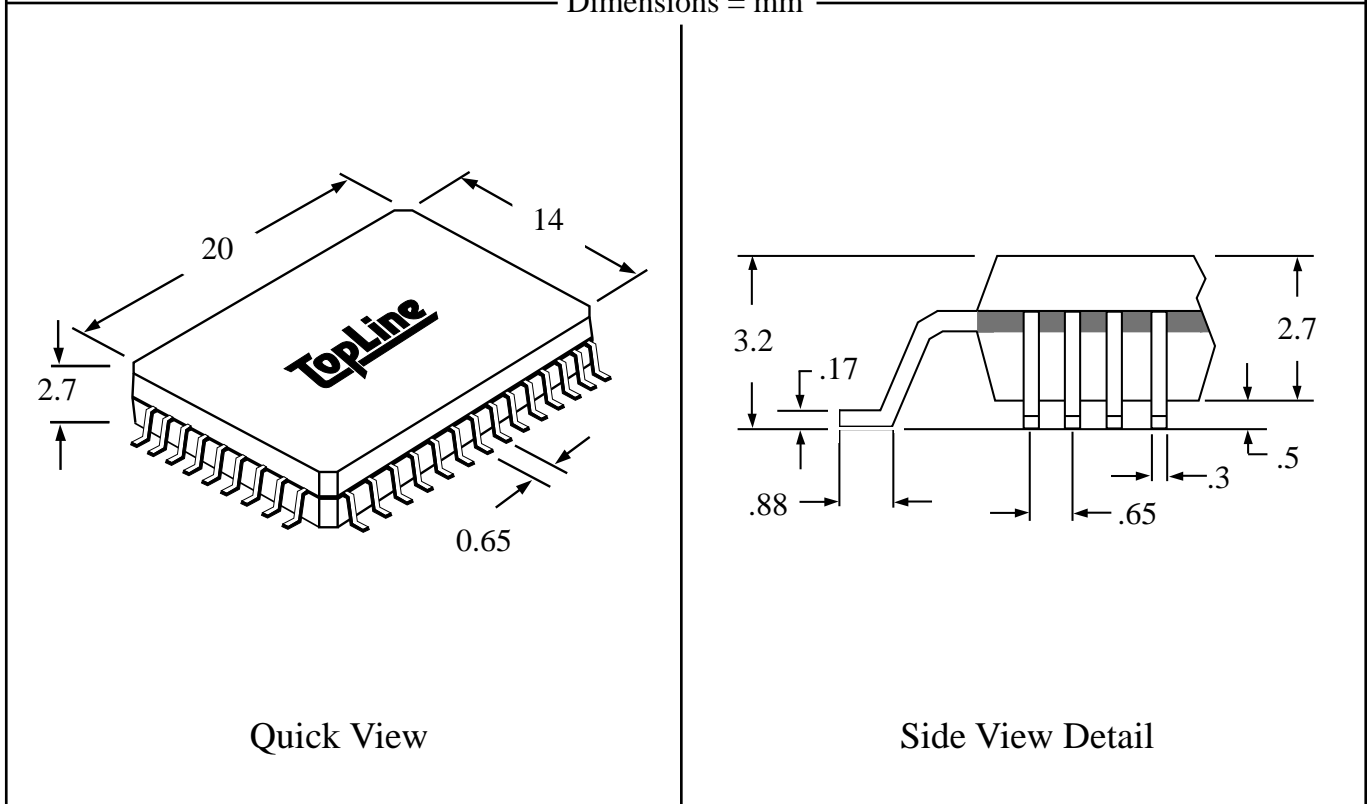
Dwg Q100P632.pdf



Top View

PC Board

Dimensions = mm



Quick View

Side View Detail