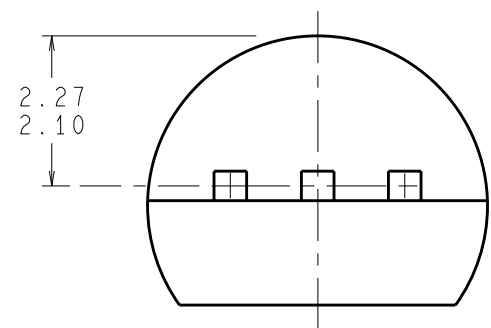
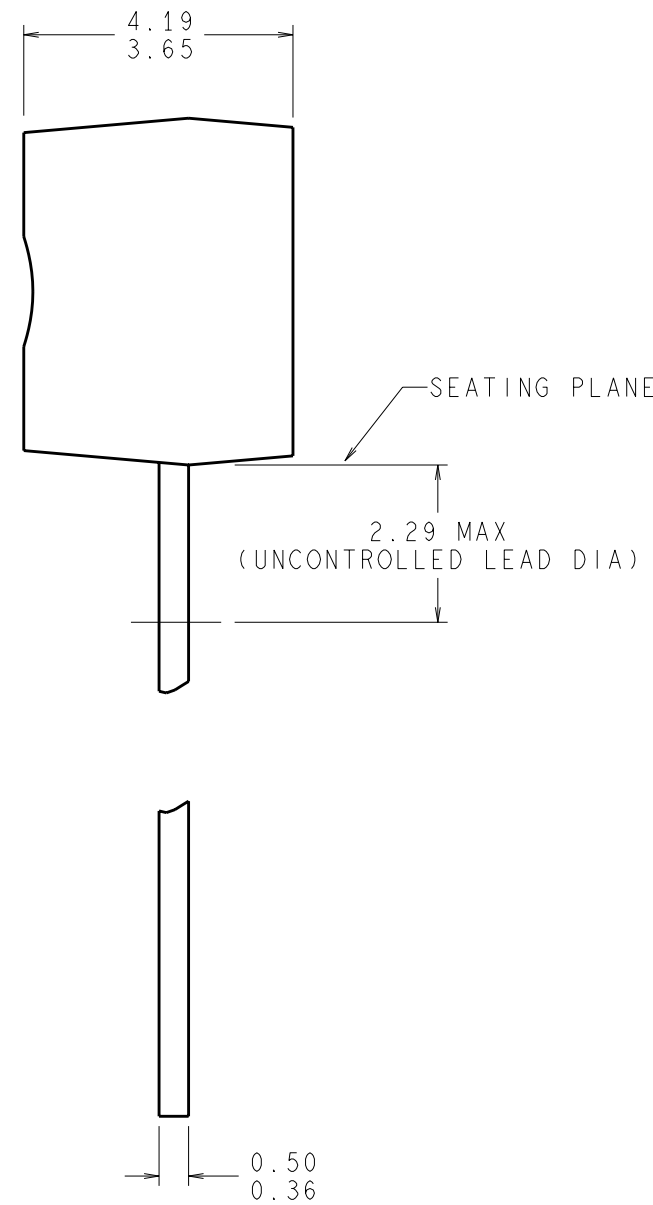
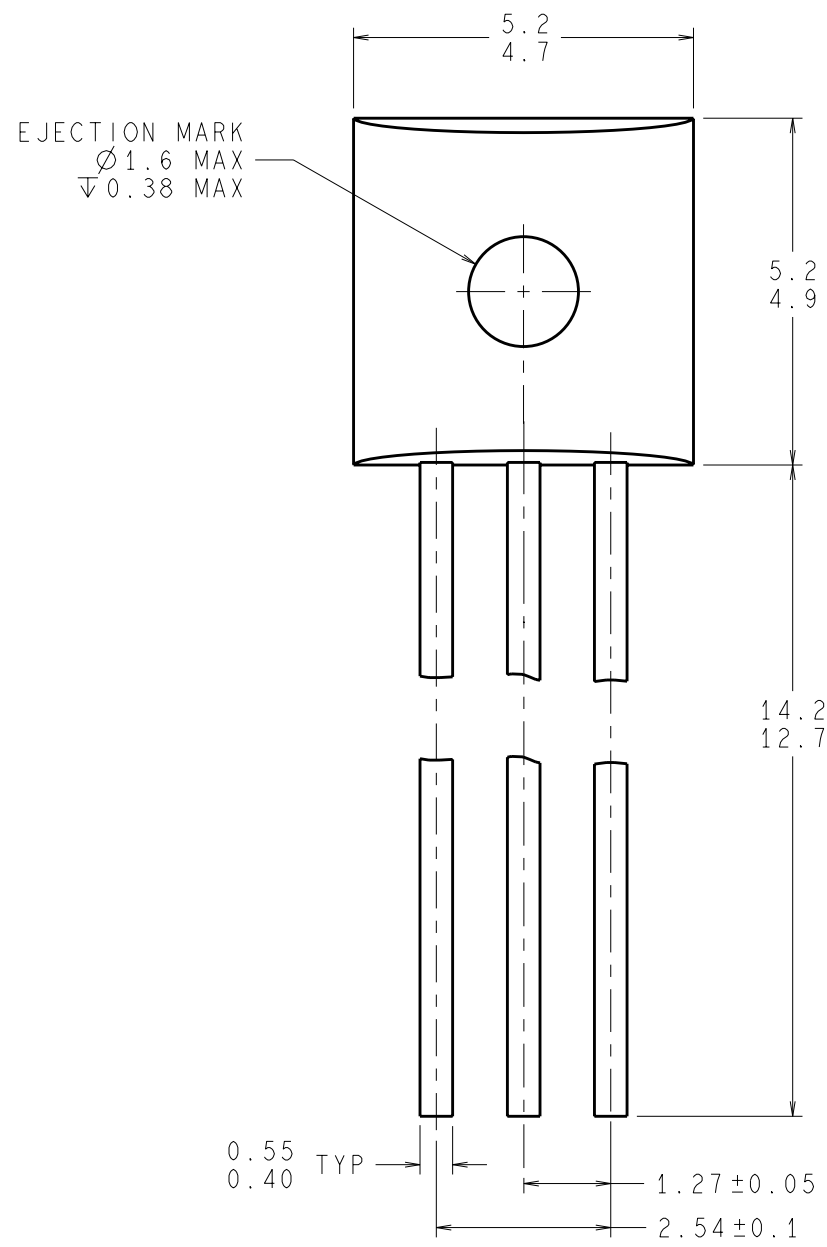


REVISIONS				
LTR	DESCRIPTION	E.C.N.	DATE	BY/APP'D
G	REDESIGN PKG CONFIGURATION. REDRAWN IN PRO/E.	12514	09/06/2000	NS/MS/JJY



DIMENSIONS ARE IN MILLIMETERS

NOTES: UNLESS OTHERWISE SPECIFIED

- STANDARD LEAD FINISH:
LEAD/TIN 40/60 OVER COPPER A194 OR EQUIVALENT.
- REFERENCE JEDEC REGISTRATION TO-226, VARIATION AA.

APPROVALS		DATE	 National Semiconductor 2900 Semiconductor Dr., Santa Clara, CA 95052-8090			
DRAWN N. SANTHIRAN		09/06/2000				
DFTG. CHK. MARTA SUCHY		09/06/2000				
ENGR. CHK. JJ YEOH		09/06/2000				
 INCH [MM]			SCALE	SIZE	DRAWING NUMBER	REV
			N/A	C	(SC)MKT-Z03A	G
DO NOT SCALE DRAWING			SHEET 1 of 1			