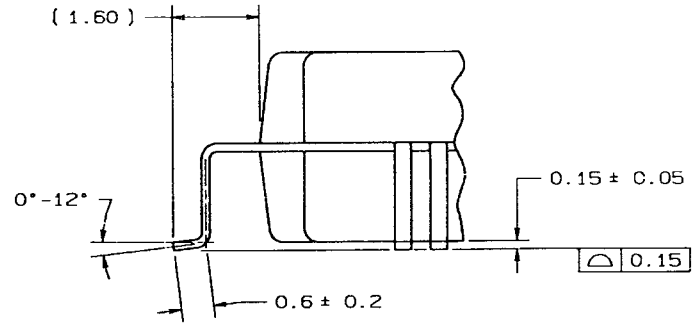
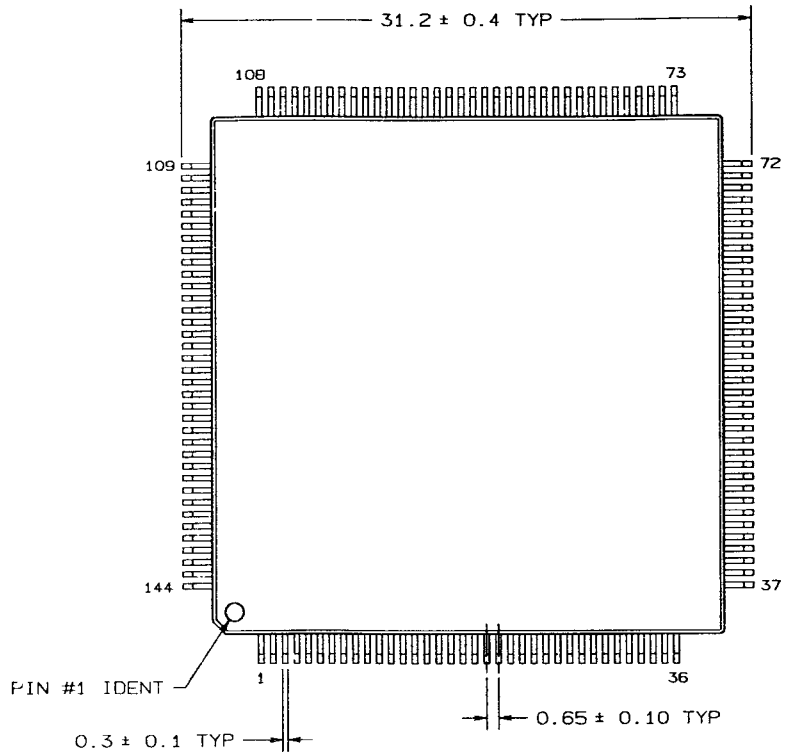
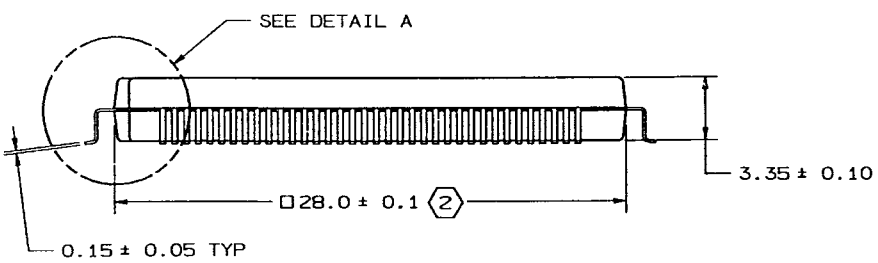


REVISIONS				
LTR	DESCRIPTION	E.C.N.	DATE	BY/APP'D
A	RELEASE TO DOCUMENT CONTROL	09290	08/24/92	MS/HJ



DETAIL A
TYPICAL



NOTES: UNLESS OTHERWISE SPECIFIED

- STANDARD LEAD FINISH:
5.08 MICROMETERS MINIMUM PER SIDE SOLDER THICKNESS
ON ALLOY 42 OR COPPER.
- (2) DIMENSION DOES NOT INCLUDE MOLD PROTRUSION.
MAXIMUM ALLOWABLE MOLD PROTRUSION 0.25mm PER SIDE.
- REFERENCE SEIKO EPSON QFP8-144 PIN, REV 4.

DIMENSIONS ARE IN MILLIMETERS			
APPROVALS	DATE	NATIONAL SEMICONDUCTOR CORPORATION	
DRW: MARTA SLUCHY	08/24/92	2900 Semiconductor Drive, Santa Clara, CA 95052-8090	
DETA. CHK: <i>[Signature]</i>	8/26/92	PQFP, (S)	
ENGR. CHK: <i>[Signature]</i>	8/26/92	28 X 28 X 3.35 mm,	
APPROVAL		144 LEAD	
PROJECTION	SCALE	SIZE	DRAWING NUMBER
	N/A	C	MKT-VQY144A
	DO NOT SCALE DRAWING	SHEET	1 OF 1