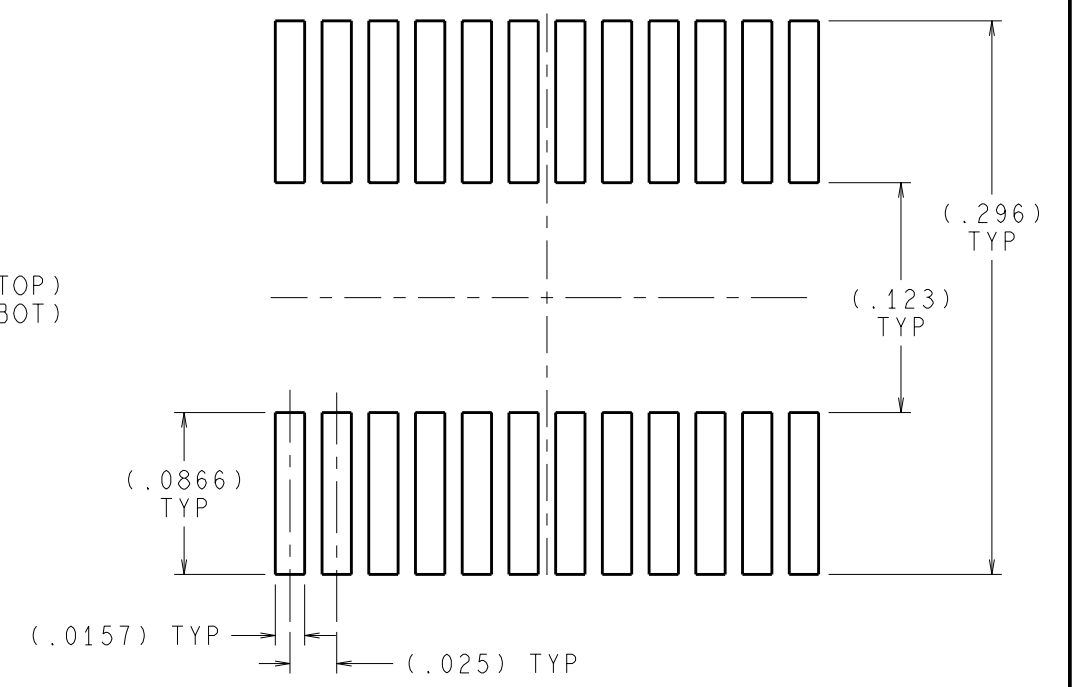
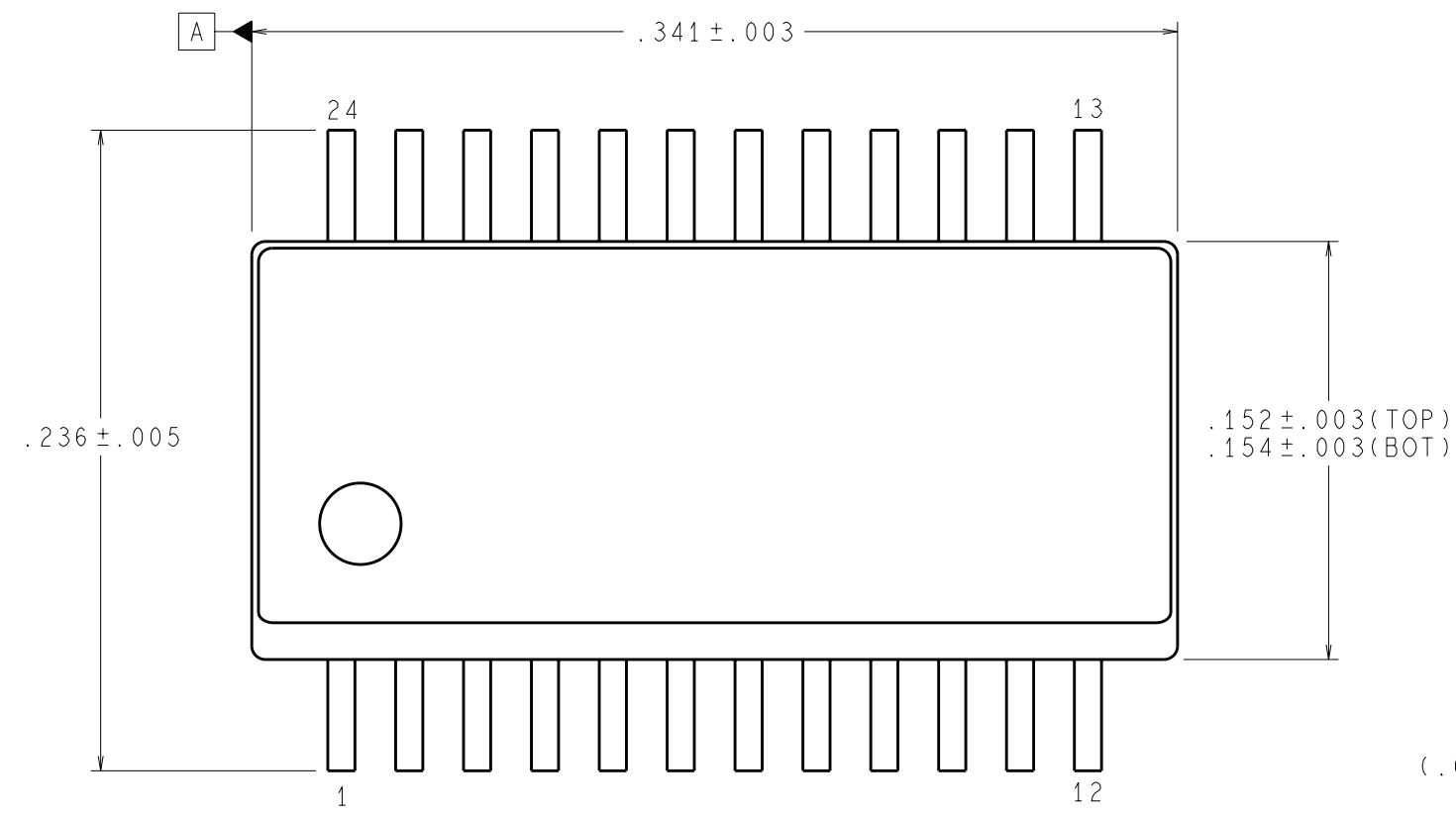
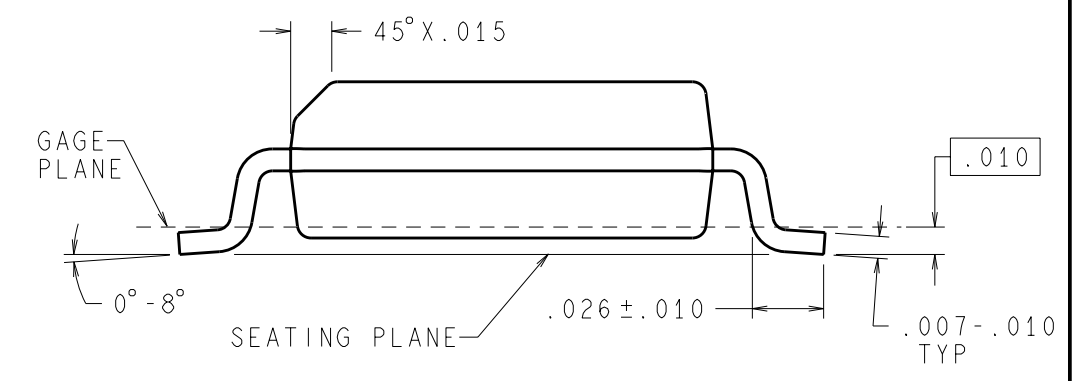
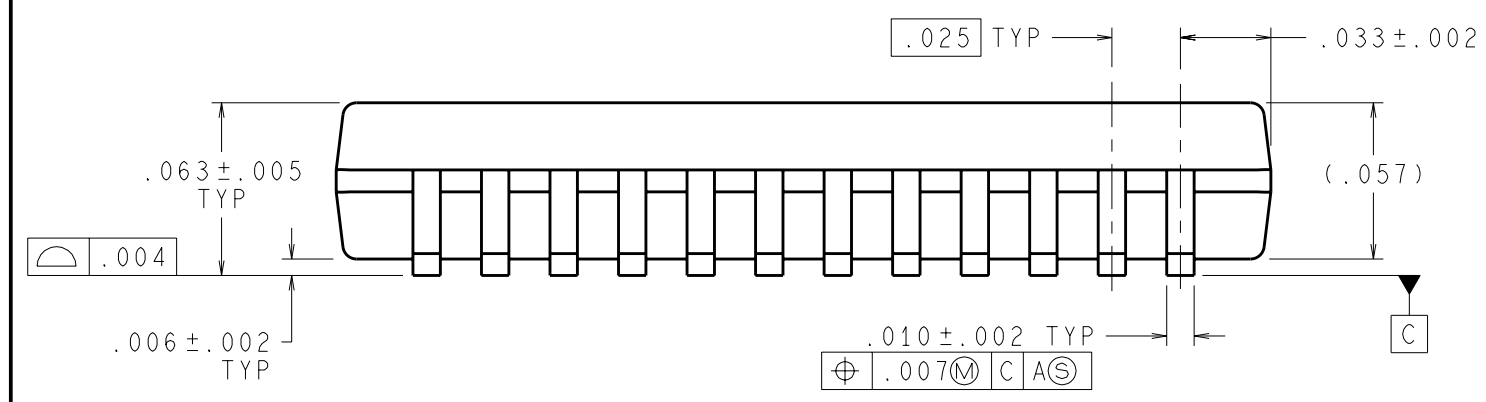


REVISIONS				
LTR	DESCRIPTION	E.C.N.	DATE	BY/APP'D
A	RELEASE TO DOCUMENT CONTROL	09394	10/15/1992	DG/CC
B	REVISE PER CURRENT STD.; REDRAW ON PRO/E; ADD LAND PATTERN RECOMENDATION.	359	07/18/2001	MS/RW



LAND PATTERN RECOMENDATION
SCALE: 15X



DIMENSIONS ARE IN INCHES

NOTES: UNLESS OTHERWISE SPECIFIED
1. REFERENCE JEDEC REGISTRATION MO-137, VARIATION AE.

APPROVALS		DATE	National Semiconductor			
DRAWN	MARTA SUCHY	07/18/2001	2900 Semiconductor Dr., Santa Clara, CA 95052-8090			
DFTG. CHK.	THANH LEQUANG	07/18/2001	SSOP, .150 BODY WIDTH, 24 LD, .025 PITCH			
ENGR. CHK.	RANDALL WALBERG	07/18/2001				
PROJECTION			SCALE	SIZE	DRAWING NUMBER	REV
			N/A	C	MKT-MQA24	B
			DO NOT SCALE DRAWING		SHEET 1 of 1	