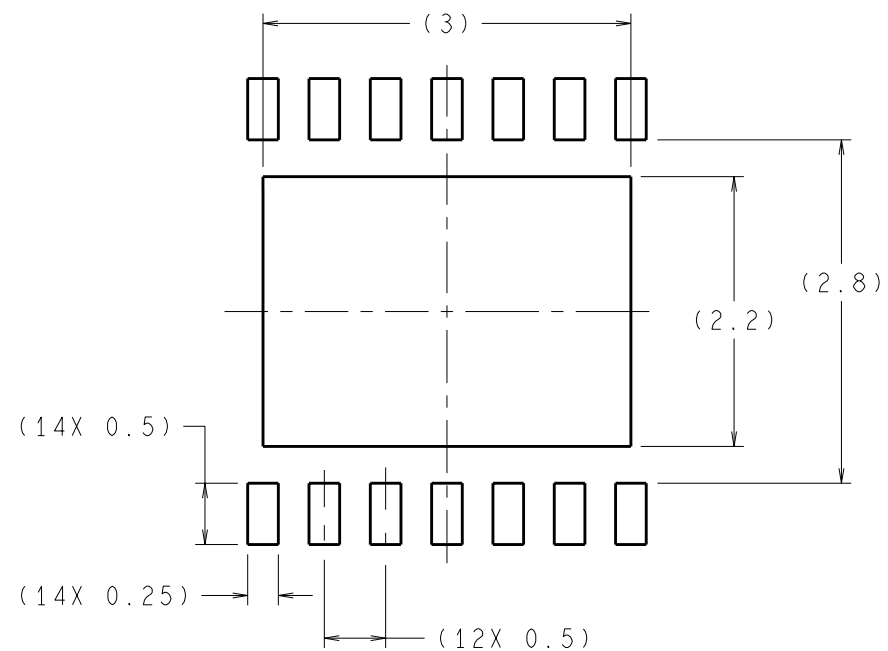
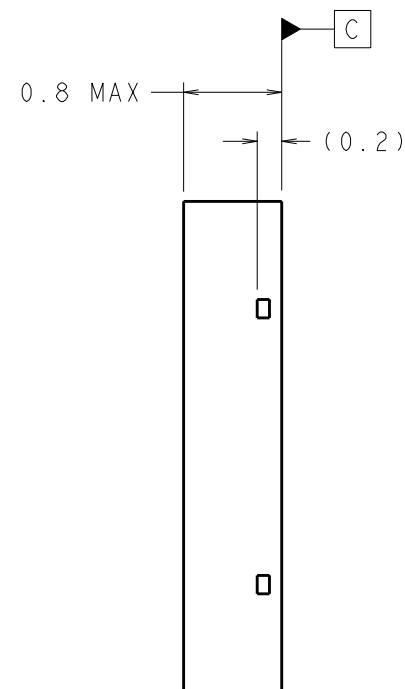
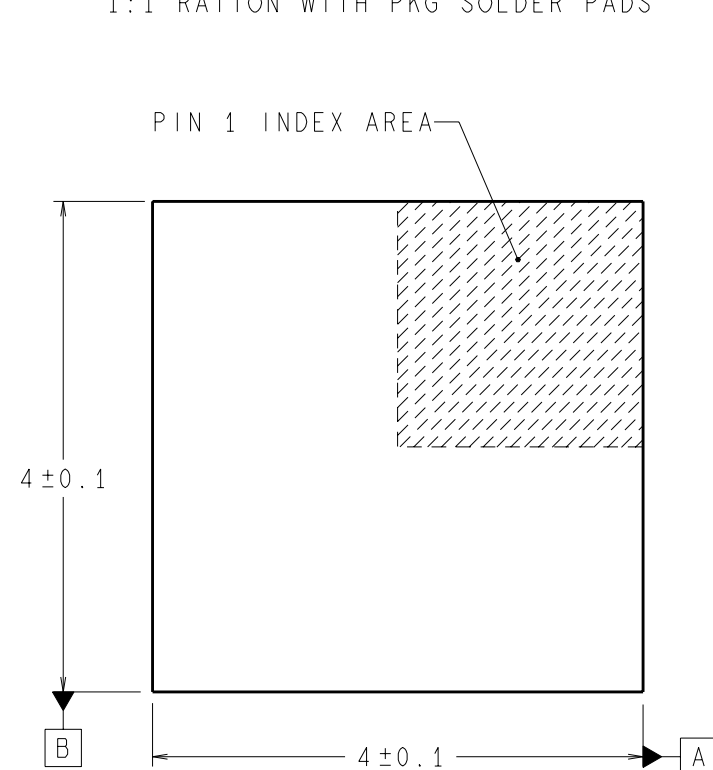


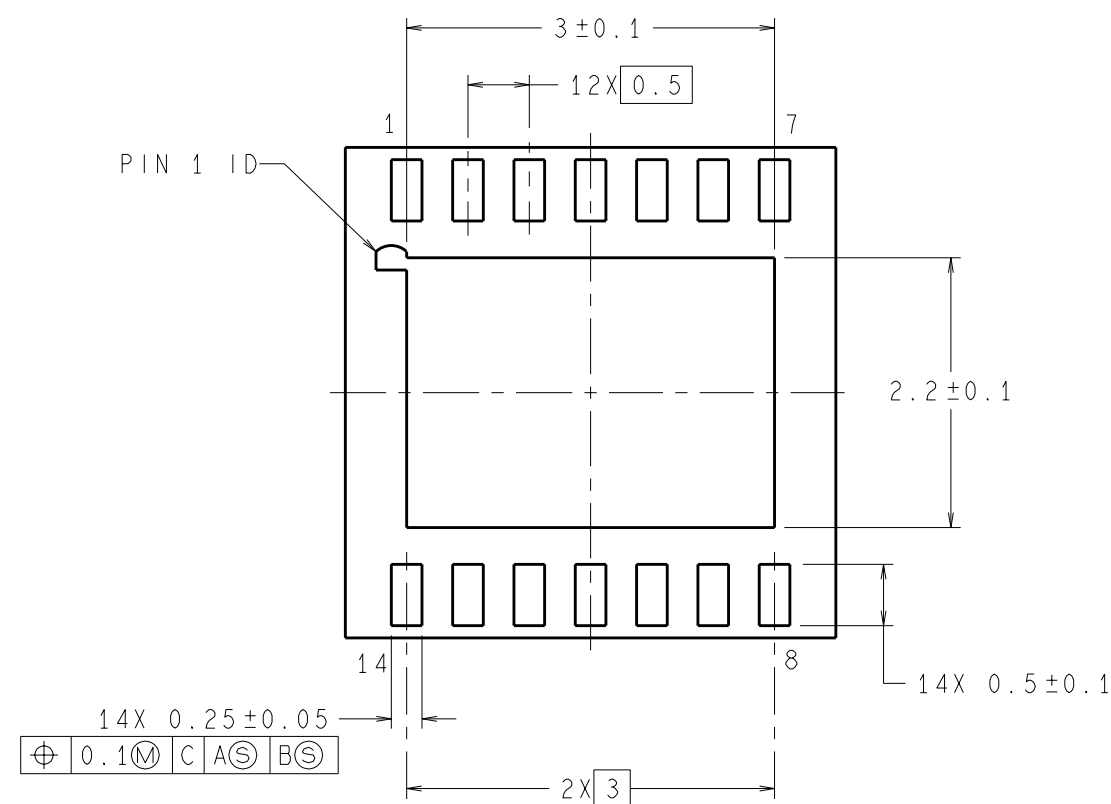
REVISIONS				
LTR	DESCRIPTION	E.C.N.	DATE	BY/APP'D
A	RELEASE TO DOCUMENT CONTROL	12512	08/21/2000	SN/TL/AL



RECOMMENDED LAND PATTERN
1:1 RATION WITH PKG SOLDER PADS



DIMENSIONS ARE IN MILLIMETERS



14X 0.25 ± 0.05
⊕ 0.1 (M) C A (S) B (S)

NOTES: UNLESS OTHERWISE SPECIFIED.

- STANDARD LEAD FINISH TO BE 5.08 MICROMETERS MINIMUM LEAD/TIN (SOLDER) ON COPPER.
- NO JEDEC REGISTRATION AS OF AUGUST 2000.

APPROVALS	DATE	National Semiconductor			
DRAWN N. SANTHIRAN	08/21/2000	2900 Semiconductor Dr., Santa Clara, CA 95052-8090			
DFTG. CHK. THANH LEQUANG	08/21/2000	LLP, PLASTIC, DUAL, 4 X 4 X 0.75 mm BODY, 14 LD, 0.5 mm PITCH			
ENGR. CHK. A. LAW	08/21/2000				
PROJECTION		SCALE	SIZE	DRAWING NUMBER	REV
		N/A	C	(SC)MKT-LDA14A	A
INCH [MM]		FORMERLY: N/A		SHEET 1 of 1	