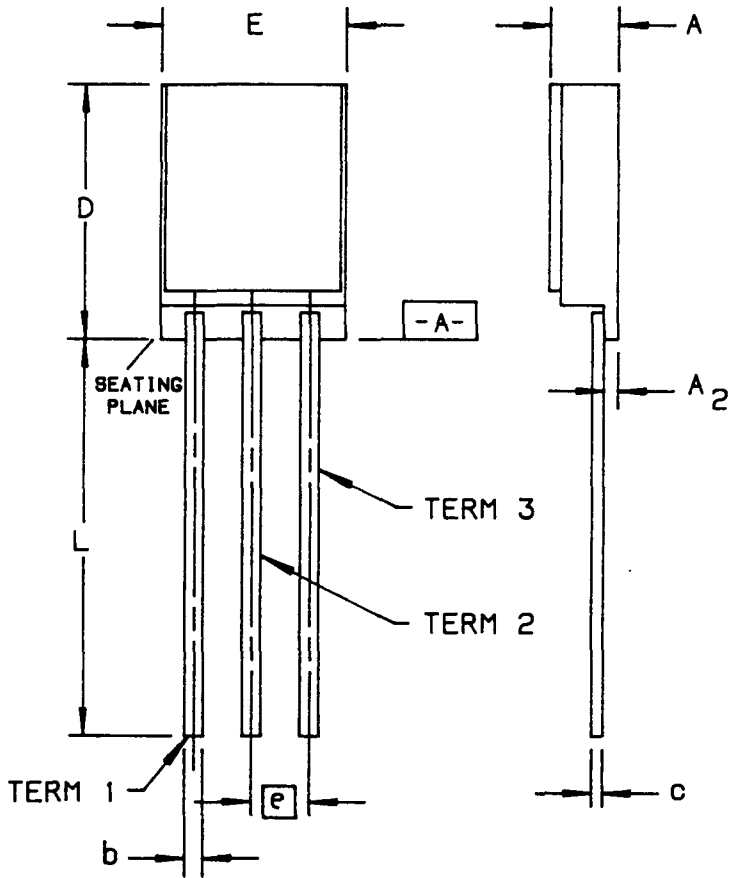


NOTES:

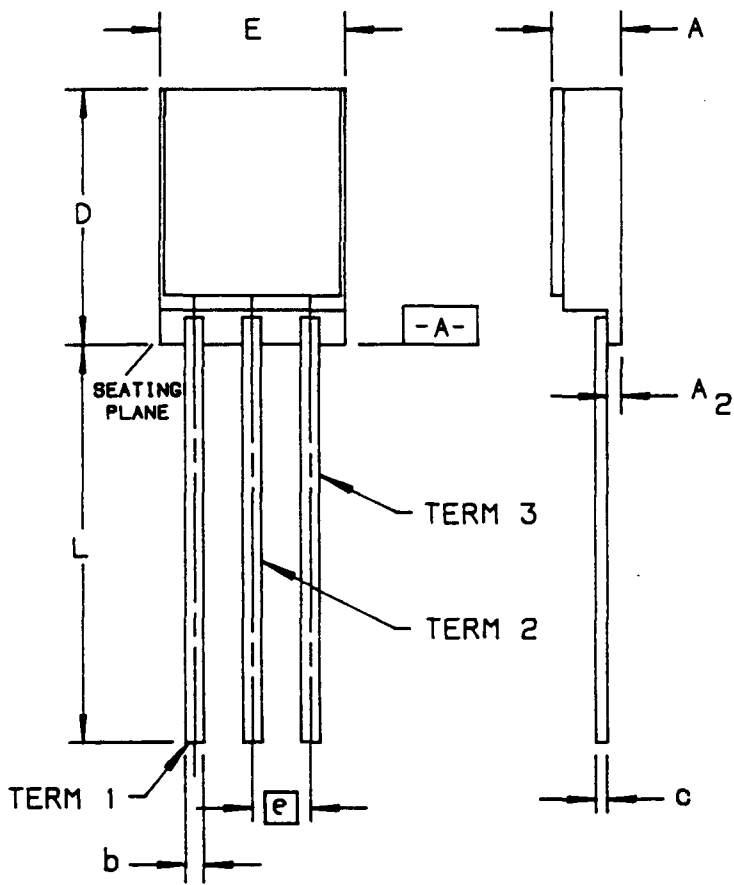
1. REFER TO APPLICABLE SYMBOL LIST.
2. DIMENSIONING AND TOLERANCING PER ANSI Y14.5M - 1982.
3. CONTROLLING DIMENSION: INCH.



⊕ .010 (M) A

SYMBOL	VARIATIONS (ALL DIMENSIONS IN INCHES)				VARIATIONS (ALL DIMENSIONS IN MILLIMETERS)			
	AA			NOTE	AA			NOTE
	MIN.	NOM.	MAX.		MIN.	NOM.	MAX.	
A	.055	.060	.065		1.40	1.52	1.65	
A ₂	.012	.014	.018		.30	.36	.46	
b	.012	.016	.018		.30	.41	.46	
c	.008	.010	.014		.20	.25	.36	
D	.220	.225	.240		5.59	5.72	6.10	
e	.050 BSC				1.27 BSC			
E	.154	.160	.166		3.91	4.06	4.22	
L	.475	----	----		12.06	----	----	
NOTE	1,2,3				1,2,3			
REF.	ITEM 10-274				ITEM 10-274			
ISSUE	A				A			

JEDEC SOLID STATE PRODUCTION OUTLINES	TITLE CERAMIC HEADER SINGLE ENDED AXIAL 3 LEADS IN LINE	ISSUE A	DATE APRIL 1989	TO-260
---	---	------------	-----------------------	---------------



NOTES:

1. REFER TO APPLICABLE SYMBOL LIST.
2. DIMENSIONING AND TOLERANCING PER ANSI Y14.5M - 1982.
3. CONTROLLING DIMENSION: INCH.

⊕ .010 (M) A

SYMBOL	VARIATIONS (ALL DIMENSIONS IN INCHES)				VARIATIONS (ALL DIMENSIONS IN MILLIMETERS)			
	AA			NOTE	AA			NOTE
	MIN.	NOM.	MAX.		MIN.	NOM.	MAX.	
A	.055	.060	.065		1.40	1.52	1.65	
A ₂	.012	.014	.018		.30	.36	.46	
b	.012	.016	.018		.30	.41	.46	
c	.008	.010	.014		.20	.25	.36	
D	.220	.225	.240		5.59	5.72	6.10	
e	.050 BSC				1.27 BSC			
E	.154	.160	.166		3.91	4.06	4.22	
L	.475	----	----		12.06	----	----	
NOTE	1,2,3				1,2,3			
REF.	ITEM 10-274				ITEM 10-274			
ISSUE	A				A			

JEDEC SOLID STATE PRODUCTION OUTLINES	TITLE CERAMIC HEADER SINGLE ENDED AXIAL 3 LEADS IN LINE	ISSUE A	DATE APRIL 1989	TO-260