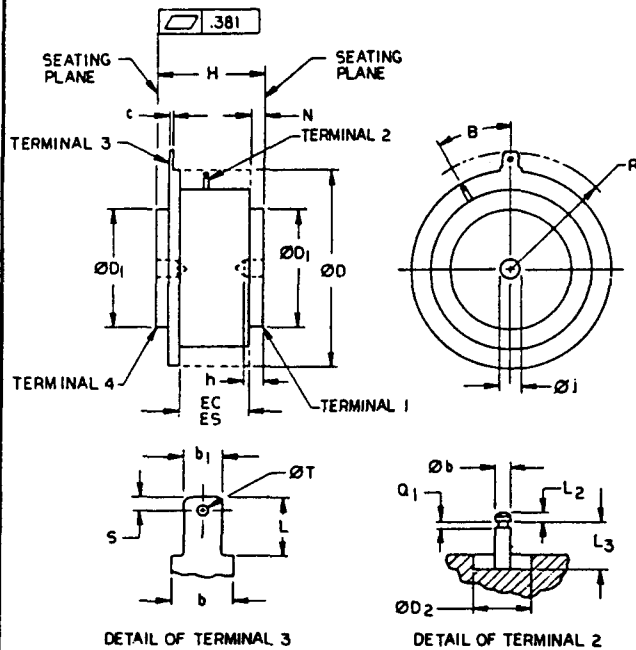
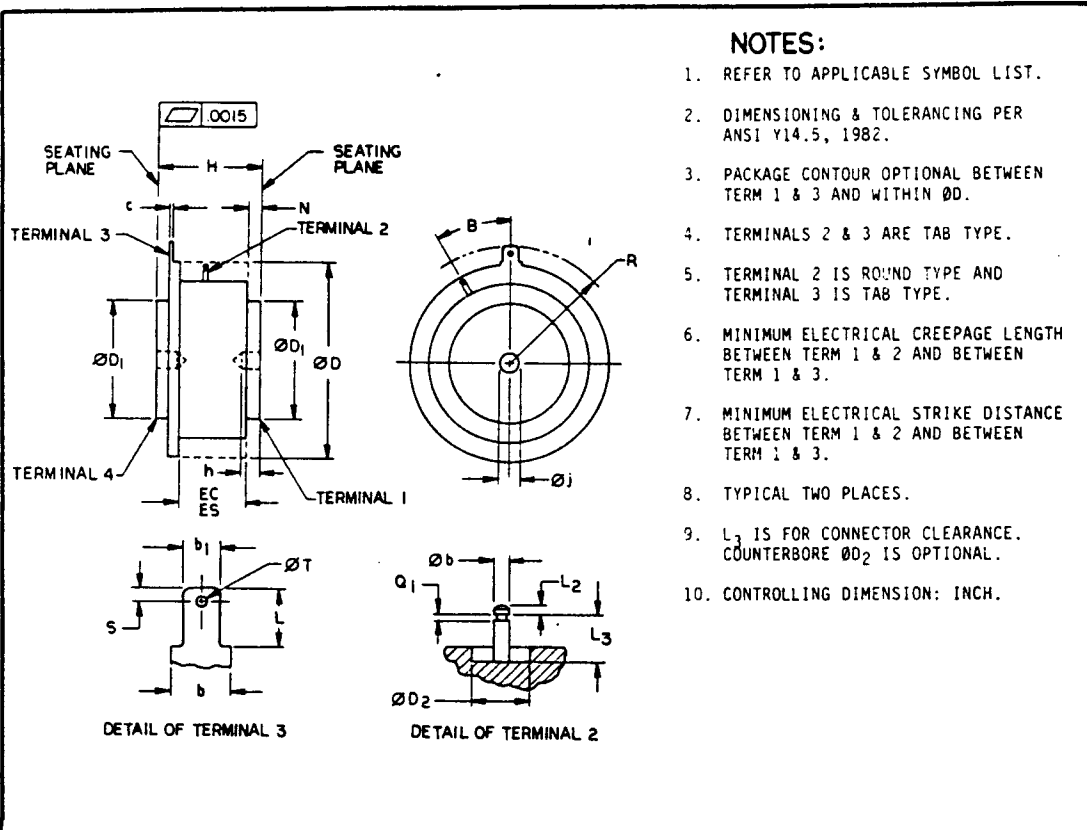


NOTES:

1. REFER TO APPLICABLE SYMBOL LIST.
2. DIMENSIONING & TOLERANCEING PER ANSI Y14.5, 1982.
3. PACKAGE CONTOUR OPTIONAL BETWEEN TERM 1 & 3 AND WITHIN  $\phi D$ .
4. TERMINALS 2 & 3 ARE TAB TYPE.
5. TERMINAL 2 IS ROUND TYPE AND TERMINAL 3 IS TAB TYPE.
6. MINIMUM ELECTRICAL CREEPAGE LENGTH BETWEEN TERM 1 & 2 AND BETWEEN TERM 1 & 3.
7. MINIMUM ELECTRICAL STRIKE DISTANCE BETWEEN TERM 1 & 2 AND BETWEEN TERM 1 & 3.
8. TYPICAL TWO PLACES.
9.  $L_3$  IS FOR CONNECTOR CLEARANCE. COUNTERBORE  $\phi D_2$  IS OPTIONAL.
10. CONTROLLING DIMENSION: INCH.



SYMBOL	VARIATIONS (ALL DIMENSIONS SHOWN IN MILLIMETERS)											
	AE		NOTE	AF		NOTE	MIN.	MAX.	NOTE	MIN.	MAX.	NOTE
	MIN.	MAX.		MIN.	MAX.							
b	4.73	7.92		4.73	7.92							
b <sub>1</sub>	4.725	4.851		4.73	4.85							
$\phi b$	1.448	1.498	9	1.448	1.498	8						
c	.356	.482		.356	.812							
$\phi D$	87.63	100.33	3	-	111.50	2						
$\phi D_1$	62.74	63.50	7	63.5	73.40							
$\phi D_2$	2.54	—	11	-	-							
EC	45.72	—	5	48.26	-	4						
ES	30.48	—	6	27.94	-	5						
H	25.40	27.94		33.02	38.1							
h	1.27	4.06	8	1.78	4.06	7						
$\phi j$	3.13	3.68	8	3.31	3.68	7						
L	6.23	19.30		6.23	19.30							
L <sub>2</sub>	.64	1.65		-	-							
L <sub>3</sub>	2.54	—	11	-	-	7						
N	.77	2.79	8	.77	-							
Q <sub>1</sub>	.254	.508	9	-	-							
R	—	58.42		-	63.5							
S	2.93	3.55	9	2.93	3.55	8						
$\phi T$	1.27	1.77		1.27	1.77							
B	15°	50°		15°	50°							
NOTE	1, 2, 9			1, 2, 10								
REF	ITEM 93-2											
ISSUE												
JEDEC SOLID STATE PRODUCT OUTLINES			TITLE DISC TYPE FAMILY			ISSUE	DATE	TO-200				
						J	7/1/65					



- NOTES:**
1. REFER TO APPLICABLE SYMBOL LIST.
  2. DIMENSIONING & TOLERANCING PER ANSI Y14.5, 1982.
  3. PACKAGE CONTOUR OPTIONAL BETWEEN TERM 1 & 3 AND WITHIN ØD.
  4. TERMINALS 2 & 3 ARE TAB TYPE.
  5. TERMINAL 2 IS ROUND TYPE AND TERMINAL 3 IS TAB TYPE.
  6. MINIMUM ELECTRICAL CREEPAGE LENGTH BETWEEN TERM 1 & 2 AND BETWEEN TERM 1 & 3.
  7. MINIMUM ELECTRICAL STRIKE DISTANCE BETWEEN TERM 1 & 2 AND BETWEEN TERM 1 & 3.
  8. TYPICAL TWO PLACES.
  9. L<sub>3</sub> IS FOR CONNECTOR CLEARANCE. COUNTERBORE ØD<sub>2</sub> IS OPTIONAL.
  10. CONTROLLING DIMENSION: INCH.

SYMBOL	VARIATIONS (ALL DIMENSIONS SHOWN IN INCHES)											
	AE		NOTE	AF		NOTE	MIN.	MAX.	NOTE	MIN.	MAX.	NOTE
	MIN.	MAX.		MIN.	MAX.							
b	.186	.312		.186	.312							
b <sub>1</sub>	.186	.191		.186	.191							
δb	.057	.059	9	.057	.059	8						
c	.014	.019		.014	.032							
ØD	3.450	3.950	3	-	4.390	2						
ØD <sub>1</sub>	2.470	2.500	7	2.500	2.890							
ØD <sub>2</sub>	.100	—	11	-	-							
EC	1.800	—	5	1.900	-							
ES	1.200	—	6	1.100	-							
H	1.000	1.400		1.300	1.500							
h	.050	.160	8	.070	.160							
Øj	.130	.160	8	.130	.145							
L	.245	.760		.245	.760							
L <sub>2</sub>	.025	.065		-	-							
L <sub>3</sub>	.100	—	11	-	-							
N	.030	.110	8	.030	-							
Q <sub>1</sub>	.010	.020	9	-	-							
R	—	2.300		-	2.500							
S	.115	.140	9	.115	.140							
δT	.050	.070		.050	.070							
B	15°	50°		15°	50°							
NOTE	1, 2, 9			1, 2, 10								
REF	ITEM 93-2			ITEM 119								
ISSUE												
JEDEC SOLID STATE PRODUCT OUTLINES			TITLE DISC TYPE FAMILY			ISSUE J	DATE 7/10/87		TO-200			